

VC-1000 Series
**VERTICAL
CENTRIFUGE**



KOSUN

VC-1000 Series

ES-KSN, A KOSUN COMPANY

+ VC- 1000 THE OPTIMUM FORMULA

- **What is the optimum formula?**

The optimum formula is the price vs quality ratio which define the value of any proposed equipment
The customers have been in a continuous search for the best quality against the price they will pay for the equipment

- **How this formula has been reached?**

The challenges for KOSUN were creating the balance between the quality and the cost of this equipment on the customers

KOSUN capitalized on its close and continues work with its customers in different countries/regions, to reach a balance between the quality and the production cost of this equipment

- **The extra mile**

Not only providing the fair price and the high quality for our customers, we went beyond this objective to give our customers the best customized solutions to their operations.

By analyze each region and the factors affect the operations there, we are providing the best equipment suitable for those conditions, and affect the customers' budget and operations efficiency dramatically

- **Future and commitment**

We are committed in the long range by keeping close to our customers and maintain the best level of service by high quality equipment



VC-1000 Series VERTICAL CENTRIFUGE

+ Features & Benefits

• Powerful separation

High separation reduces the fluid in cuttings makes it easier for the cuttings to be treated afterwards

• Mud Recovery

Recover mud lost from shakers and screens

• Maintenance

Easy maintenance through

- Flushing system that provides continues cleaning and less shutdowns
- Lubrication system
- Horizontal screens

• Programmable Logic Controller (PLC)

Monitoring system for

- Temperature
- Torque
- Oil flow
- Overload

• High-capacity

Keeping up with high drilling operations with feed up to 60 Ton / hour



The Cuffings After Treatment

+ Why Vertical Centrifuge

In today's world, where the industry is evolving instantly, the need for better, lighter and easier to manage equipment is what all the customers is looking for.

The VC is being designed mainly for the Oil Base Mud (OBM) operations and with the high cost of these operations there is a need for equipment which affect the 3 main factors

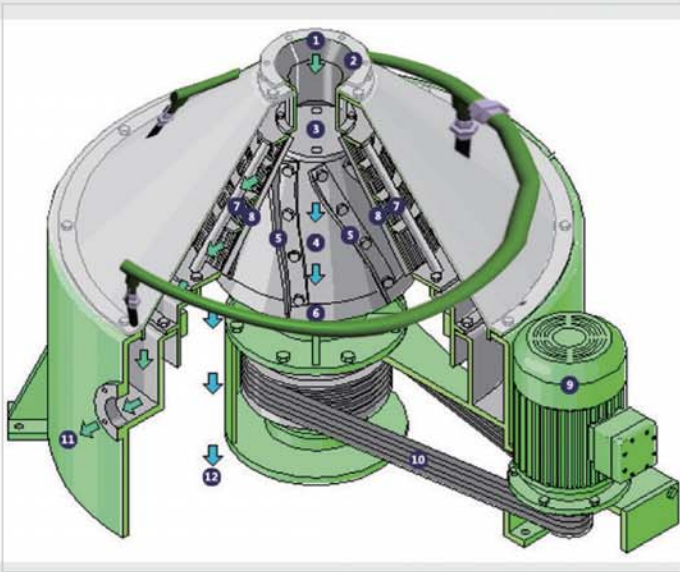
- Cost
- Environment
- Preserving the drilling fluids

In designing the VC, the main objective were developing an equipment capable of

- Improving the separation efficiency compared to the usual solid control equipment
- Reducing the amount of waste volume produced
- Saving the cost and the customer budget
- An easy to use and maintain equipment were all the parts are accessible and can be cleaned and maintained
- The safety of the operators and the personnel involved in the operation



+ STRUCTURE



- | | | | |
|----------------------|-----------|----------|----------------------|
| ① Feeder | ④ Cone | ⑦ Basket | ⑩ Belt |
| ② Collection device | ⑤ Flight | ⑧ Screen | ⑪ Effluent discharge |
| ③ Distribution Plate | ⑥ Scraper | ⑨ Motor | ⑫ Solids discharge |



Vertical Centrifuge With Skid

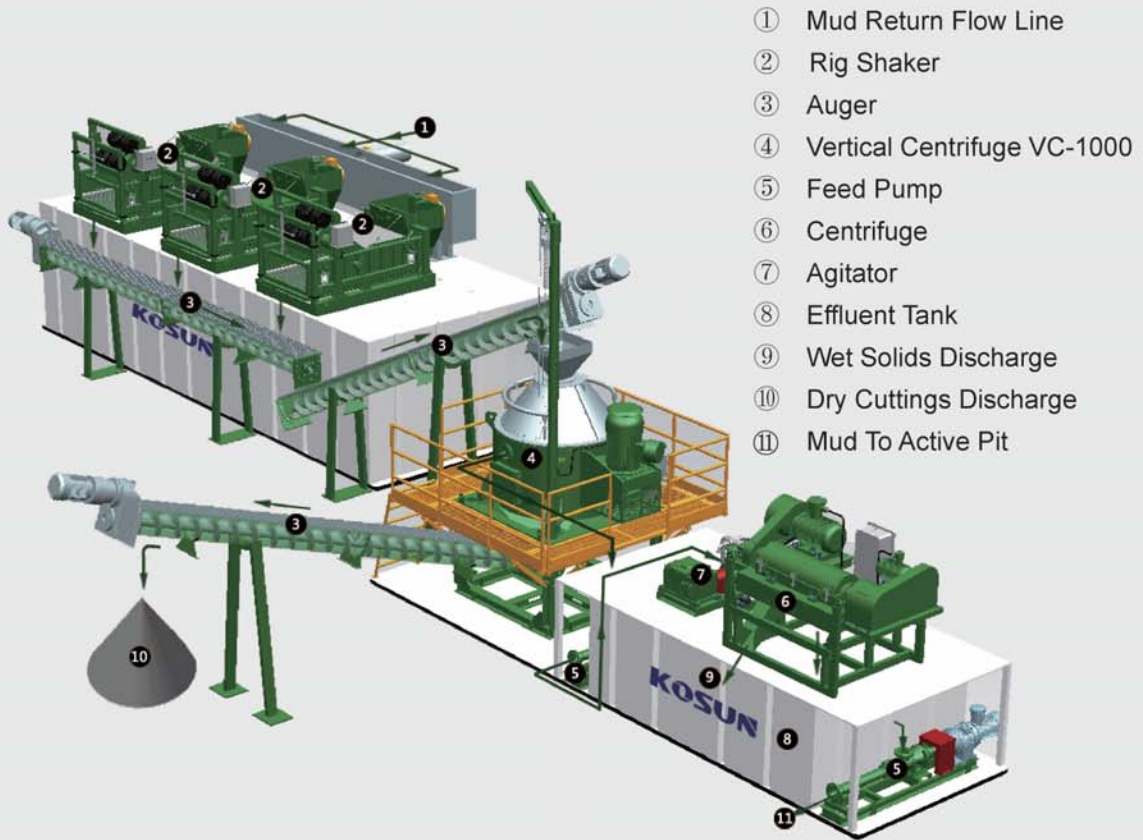


Main body



Skid

+ VERTICAL CENTRIFUGE PROCESSING SYSTEM



✚ Its not standard.... Its customized

As every drilling operation is different and each rig have its own design and conditions we designed the vertical centrifuge in a way that allow us to easily customize it based on the customers and rigs conditions

Most of the competitors are offering a standard package for their customers which in most of the time create further issues at the time of rig up and rig down, that is why we decide to have the main body of the VC and we are customizing the accessories like the Skid and the control panel based on the customers requirement



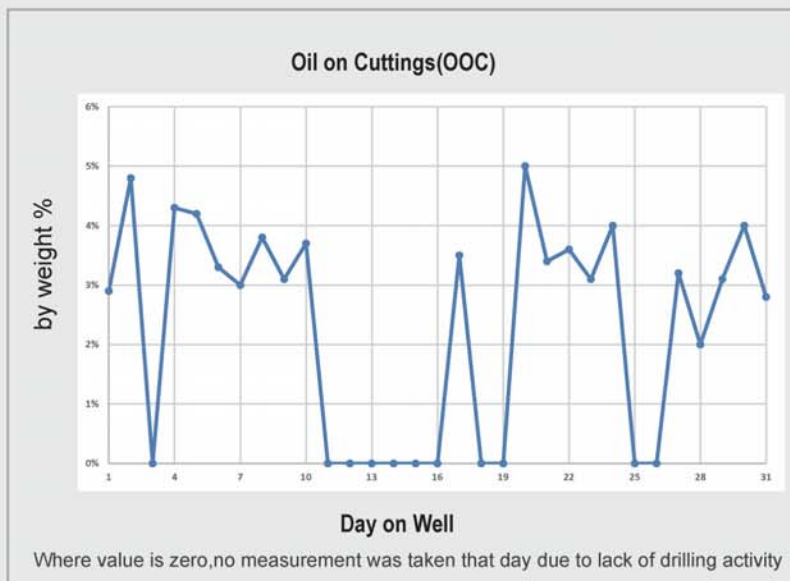
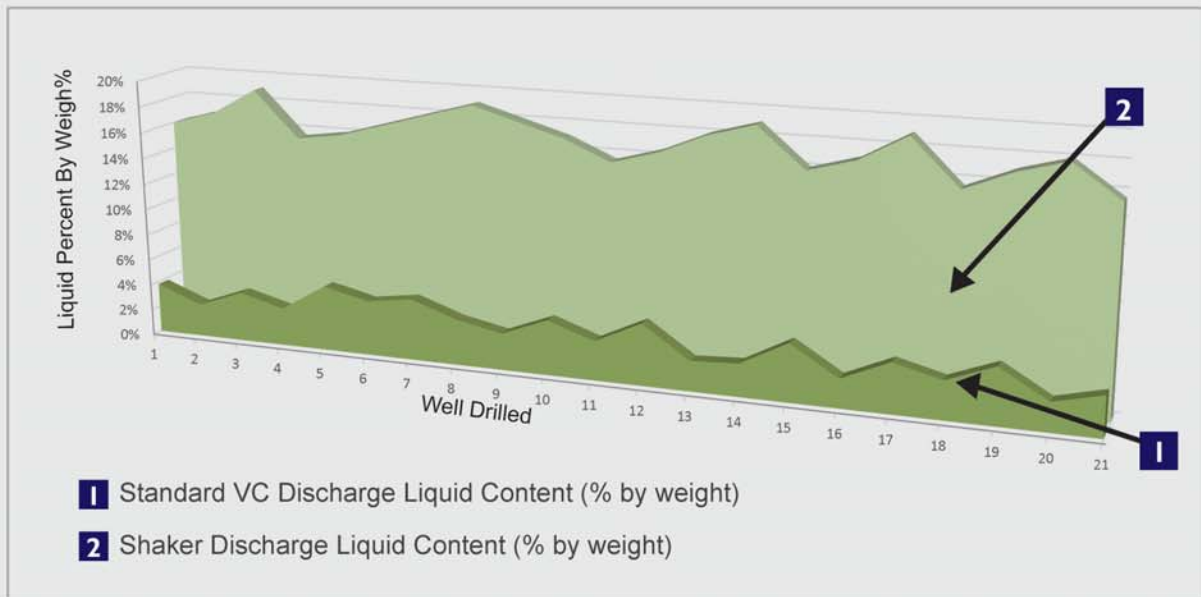
KOSUN VC-1000 Operating on drilling site

VC-1000 Series VERTICAL CENTRIFUGE



+ Vertical Centrifuge Capability

Oil Retention On Drill Cuttings



BEFORE



AFTER



Technical Parameters of Vertical Centrifuge

Model	VC-1000
Inner diameter of drum	950mm
Working speed	820r/min
G-force	360
Maximum capacity	60T/h
OOO	≤5%
Main motor power	55kW (75HP)
Screen opening	0.015" , 0.020"
Explosion-proof mark	ExdⅡBT4/ ExdⅡCT3 / ATEX
Power	380V/50Hz or 460V/60Hz
Dimensions (L × W × H)	3820mm×3360mm×5900mm
Weight	8700kg

KOSUN Machinery Co., Ltd.

Room A, 11st Floor, Lock Building, No.37, Tangyan Rd, Gaoxin District, Xi'an, 710065

Phone: +86 29 8730 4914 | Fax: +86 29 8730 4648

E-mail: drillingwaste@adkosun.com

Web: www.kosun.com